

JS 6-400 F11

Qmax 420 m³/h - 7000 l/min (1850 USgpm) - Hmax 58 m (190 ft)

Code 4810062196



Indicative picture of the product

Self-priming centrifugal bare shaft pump

Characteristics

The J series self-priming centrifugal pumps are used in applications where a rapid priming capacity is required from demanding suction heights combined with the ability to transfer and manage polluted fluids, dirty and abrasives with suspended large diameter solids. The system is based on an inspectable pump casing which also acts as a water tank allowing a first quick priming without auxiliary systems, simplifying management of the system and reducing the time for maintenance. Within the physically permitted suction height limits, J pumps are a more comfortable and reliable solution than submersible pumps and vertical submersed impeller pumps.

Applications

Industry:

clean, dirty, sandy, muddy, neutral, alkaline, acidic liquids; low viscous petroleum products, solvents even if dirty; milk of lime, caustic soda; washing, cooling, recirculation, smoke scrubbing.

Treatment:

pumping polluted corrosive wastewater containing sand, mud or solids in suspension; dosing neutralizing liquids; pumping out settled sludge.

Naval:

loading and unloading; bilge pumping; washing, fire-fighting, stripping, sanitary duty and circulation.

Agriculture:

surface irrigation; liquid manure oxygenation; transfer and spraying liquid manure or fertilizers; distribution of liquid animal feed; transfer of wine must; washing.

Product Data

Suction port

Flanged - DN150 DI 1882 TL (solder)

Delivery port

Flanged - DN150 DI 1882 TL (solder)

Qmax

420 m³/h - 7000 l/min (1850 USgpm)

Hmax

58 m (190 ft)

Solids handling

50 mm (2")

Weight

406 kg (895 lb)

EX version



Pump with dedicated code, including thermowell predisposition for temperature sensor and glass oiler for mechanical seal quench fluid, according to **ATEX 2014/34/EU**.

Benefits

1) Rapid self-priming

Without foot valve up to a height of 7.5 m (24.5 ft)

2) High resistance

To abrasive liquids which are turbid and sandy

3) Semi-open impeller

High thickness casting impact resistant

4) Wear plate/plates

Easily replaceable stainless steel wear plate/plates

5) Easy inspection and cleaning

Removable front covers for access to the impeller

Varisco S.r.l. has certified its Quality, Environment and Safety Management System in accordance with the requirements of the international standard ISO 9001-14001-45001, recognized by the Lloyd Register.

Specification is subject to change without prior notice. Please check with your Varisco representative for the latest specifications.

Document release date: February 15th 2024

JS 6-400 F11



PERFORMANCE CURVES

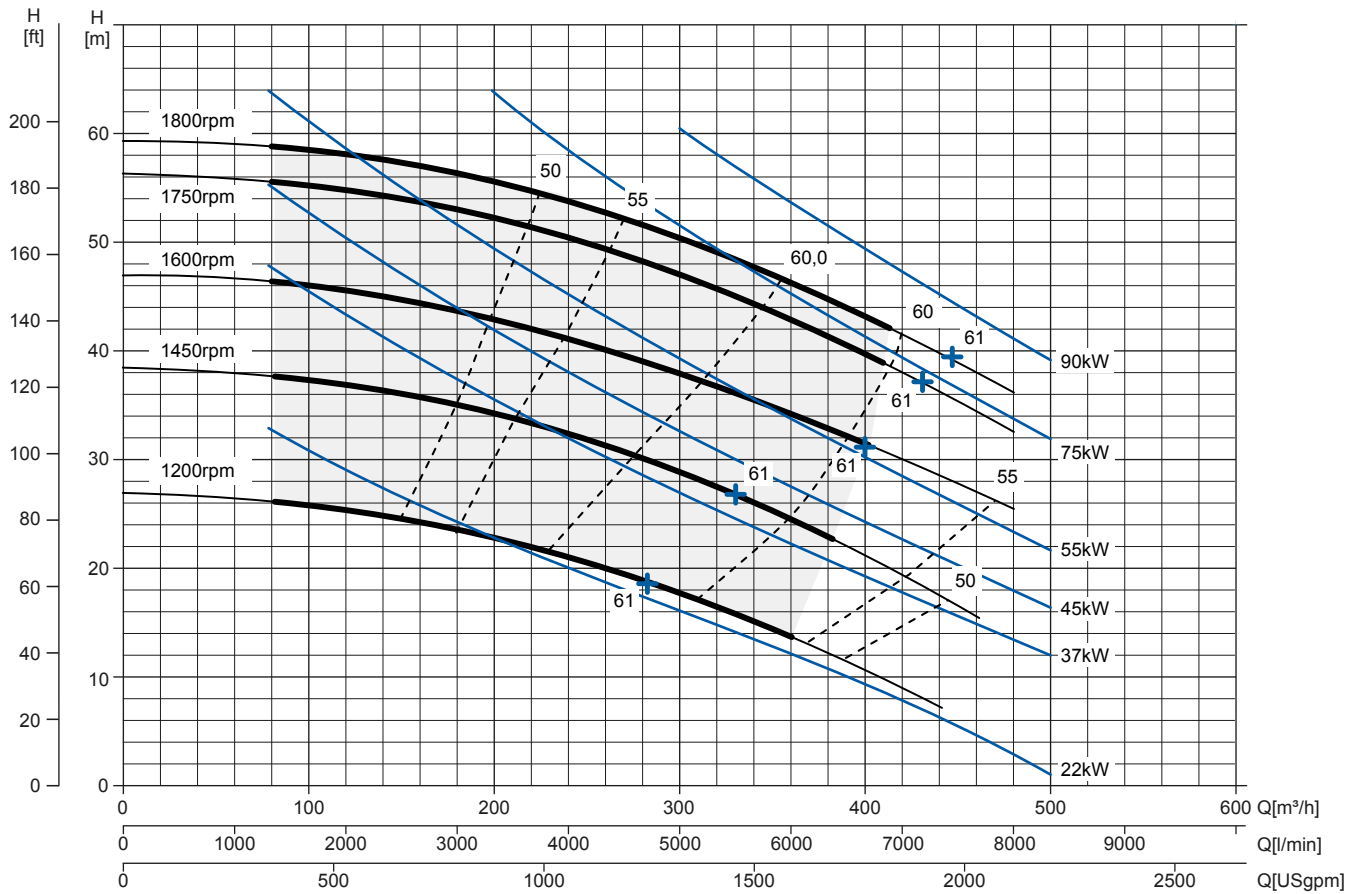
Test according to **UNI EN ISO 9906 standard - level 2B**

Installed power: **45 kW - 60 HP (1.450 rpm)**

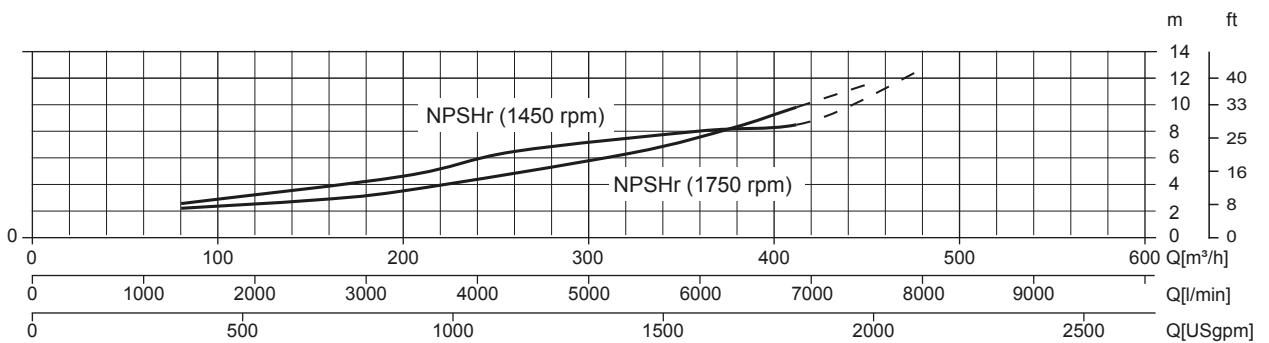
Test liquid: **clean water, density 1.000 kg/m³**

Spherical solids handling: **D.50 mm (2")**

Multiple Speed Curve



NPSHr Curve



JS 6-400 F11

TECHNICAL DATA

Pump

Pump model	JS 6-400 F11
Qmax [1.800 rpm]	420 m ³ /h - 7000 l/min (1850 USgpm)
Hmax [1.800 rpm]	58 m (190 ft)
Suction port	Flanged - DN150 DI 1882 TL (solder)
Delivery port	Flanged - DN150 DI 1882 TL (solder)
Impeller type	Semi-open, 4 vanes
Solids handling	50 mm (2")
Casing	EN 1563 EN-GJS-500 cast iron
Impeller	ASTM A351 CF3M stainless steel
Wear plate	ASTM A351 CF3M stainless steel
Non-return valve	check-valve, FKM
Shaft	SAF 2507 EN 10088 stainless steel
Mechanical seal	Silicon carbide / Silicon carbide
Elastomers	FKM
Lubrication	Grease
Bearing bracket	EN 1561 EN-GJL-200 cast iron, with oil lubricated ball bearings

Arrangement

Model	Bare shaft
Dimensions (L x W x H)*	1095 x 730 x 821 mm (43,1 x 28,7 x 32,3")
Coating	Polyurethane enamel, average thickness of 100 µm
Color	RAL 5010 blue (standard)
Height connection	0,65 m (2,1 ft)

*without flanged ports

Optionals

Flanged ports DN150 PN16 EN1092-2 Type B	Complete pump set code available on request
Flanged ports 6" ANSI B16.1 Class 125 R.F.	Complete pump set code available on request
Automatic mechanical seal greaser	Code: 10008316
Thermocouple temperature sensor for ATEX pump	TC - Range temperature from 0 up to 300°C
Temperature sensors for ATEX pump	PT100 - Range temperature from 0 up to 300°C

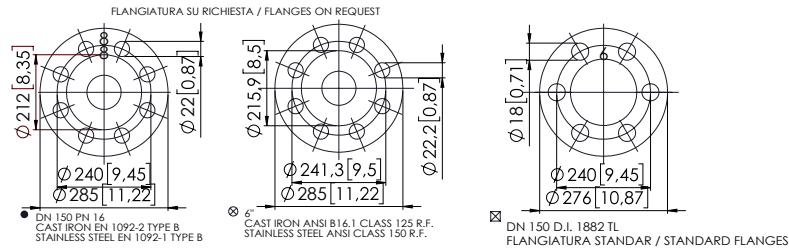
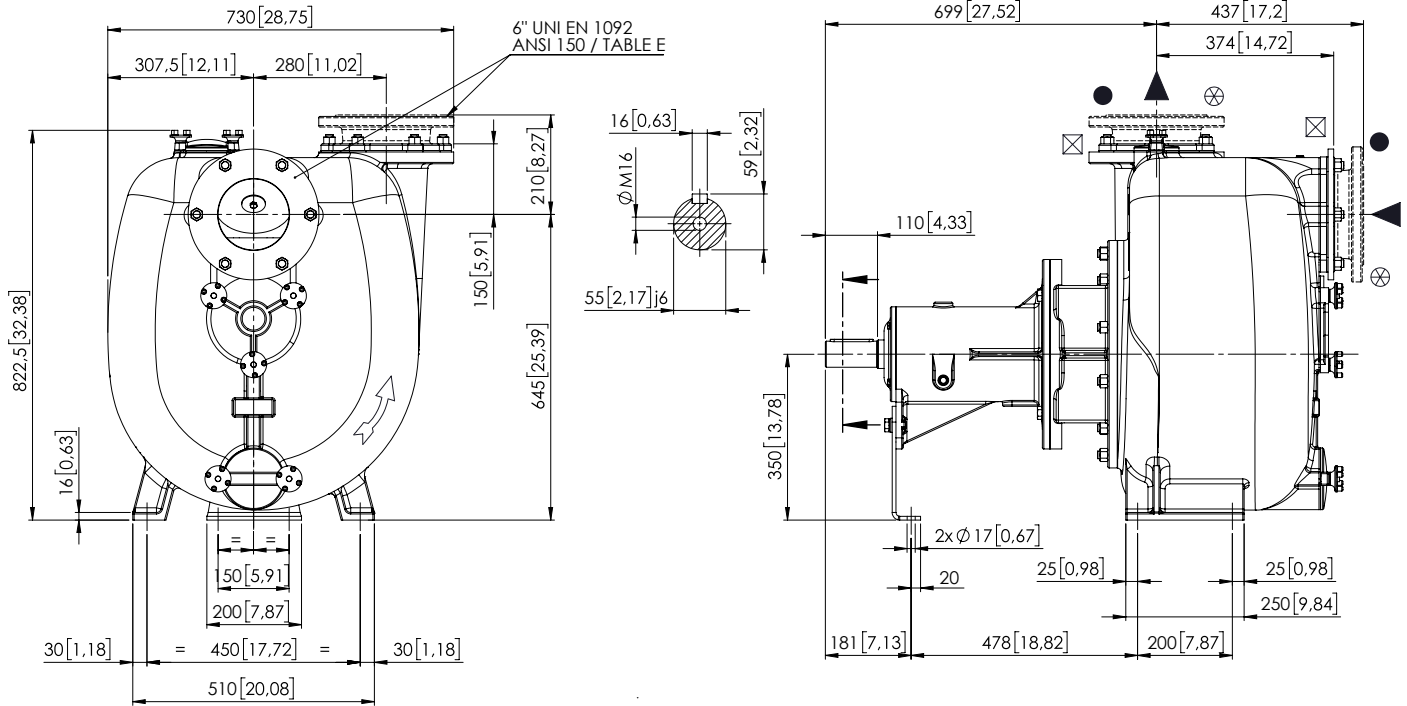
Weight

Net weight	406 kg (895 lb)
Gross weight (pump + packing)	436 kg (961 lb)

JS 6-400 F11

DIMENSIONS

mm [in]



PACKAGING DIMENSIONS

Dimensions

JS 6-400 F11 (L x W x H)
Gross weight (pump + packing)

1200 x 800 x 950 mm
436 kg (961 lb)

